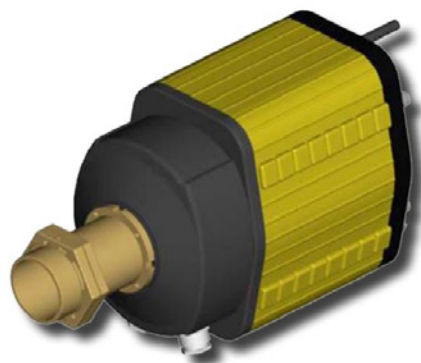




INDUSTRIKOMPONENTER A/S
En anerkendt partner i Mobil Energi

SLÆBERINGSSÆT 10A/30A



Slip ring collectors are sets of rings coupled with brushes designed to allow current to pass from a fixed to a rotating part. The 10A/30A series is used to supply crane motors, cable winders, etc.

These units are suitable only for transmitting currents with 50/60 Hz supply frequency.

The 10A/30A slip ring collectors may have only 30A line rings or they may have both 30A line rings and 10A auxiliary rings. They have a shock-resistant thermoplastic protection to prevent accidental contacts with live parts; the protection has small downward holes to allow air circulation and prevent moisture. The lower support plate is provided with three holes to drain the moisture which may form inside the unit.

GENERELT TEKNISKE DATA

| | |
|------------------------------------|----------------------------------|
| Conformity to Community Directives | 2006/95/CE; 2006/42/CE |
| Conformity to Standards | EN 60204-1; EN 60309-1; EN 60529 |
| Storage Ambient Temperature | -40 °C til +70 °C |
| Operational Ambient Temperature | -25 °C til +70 °C |
| Protection degree | IP 22 |
| Insulation Category | Class I |
| Cable Entry | Cable clamps M25 |
| Operating positions | Any position |
| Markings and homologations | CE |

TECHNICAL SPECIFICATIONS OF THE MICROSWITCHES

| | |
|----------------------------|----------------------|
| Utilisation Category | 10A -30A |
| Rated Operational Current | 400V |
| Rated Operational Voltage | 660V |
| Mechanical Life | Max 3 rev/min |
| Connections | Screw-type terminals |
| Markings and homologations | CE |

For mere specifikke oplysninger om disse produkter, og hvordan de kan dække dine behov, ring venligst

INDUSTRIKOMPONENTER A/S

Energivej 33 DK-2750 Ballerup

Tlf: +45 5672 0000 Fax: +45 5672 0005

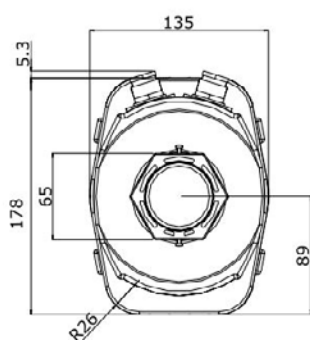


INDUSTRIKOMponenter A/S
En anerkendt partner i Mobil Energi

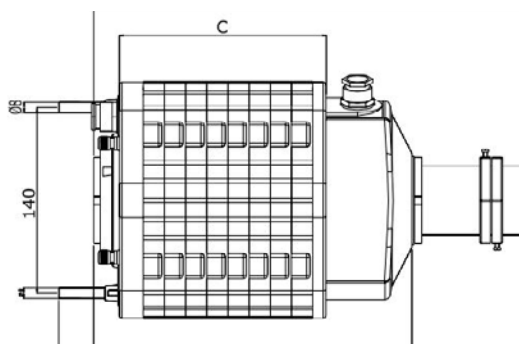
SLÆBERINGSSÆT 10A/30A

| Nr. Ringer | | DIMENSIONER (mm) | | | | Nr. Ringer | | DIMENSIONER (mm) | | |
|------------|-----|------------------|------|-----|--|------------|-----|------------------|-----|--|
| 10A | 30A | A | B | C | | 30A | A | B | C | |
| 1 | 4 | 195 | 265 | 108 | | 3 | 179 | 249 | 92 | |
| 2 | 4 | 211 | 281 | 124 | | 4 | 195 | 265 | 108 | |
| 3 | 4 | 211 | 281 | 124 | | 5 | 211 | 281 | 124 | |
| 4 | 4 | 227 | 297 | 140 | | 6 | 227 | 297 | 140 | |
| 5 | 4 | 227 | 297 | 140 | | 7 | 243 | 313 | 156 | |
| 6 | 4 | 243 | 313 | 156 | | 8 | 259 | 329 | 172 | |
| 7 | 4 | 243 | 313 | 156 | | 9 | 275 | 345 | 188 | |
| 8 | 4 | 259 | 329 | 172 | | 10 | 291 | 361 | 204 | |
| 9 | 4 | 259 | 329 | 172 | | 11 | 307 | 377 | 220 | |
| 10 | 4 | 275 | 345 | 188 | | 12 | 323 | 393 | 236 | |
| 11 | 4 | 275 | 345 | 188 | | 13 | 339 | 409 | 252 | |
| 12 | 4 | 291 | 3h61 | 204 | | 14 | 355 | 425 | 268 | |
| | | | | | | 15 | 371 | 441 | 284 | |
| | | | | | | 16 | 387 | 457 | 300 | |

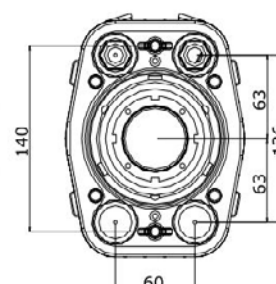
DIMENSIONER



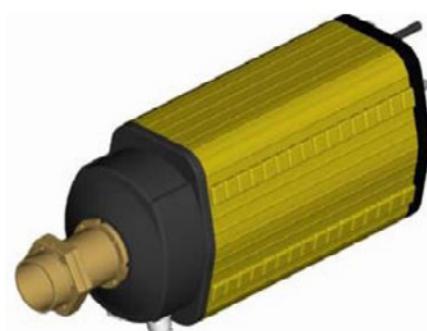
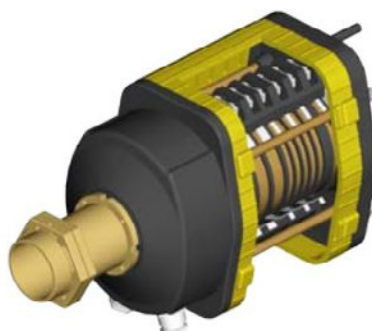
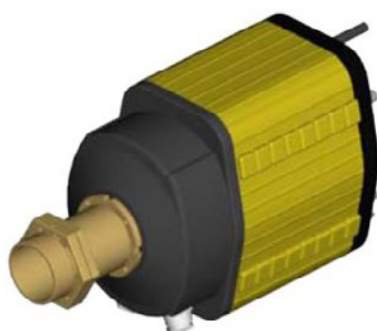
STANDARD



STANDARD (TVÆRSNIT)



STANDARD 16 RINGER



For mere specifikke oplysninger om disse produkter, og hvordan de kan dække dine behov, ring venligst

INDUSTRIKOMponenter A/S

Energivej 33 DK-2750 Ballerup

Tlf: +45 5672 0000 Fax: +45 5672 0005

www.industrikomponenter.dk