



**INDUSTRIKOMPONENTER A/S**  
En anerkendt partner i Mobil Energi

**SIDEVANDRINGSKONTAKTER  
SBW**



For mere specifikke oplysninger om disse produkter, og  
hvordan de kan dække dine behov, ring venligst

**INDUSTRIKOMPONENTER A/S**

Energivej 33 DK-2750 Ballerup

Tlf: +45 5672 0000 Fax: +45 5672 0005



### APPLICATION

SBW 501/2 und SBW 601/2 are used in bucket elevator installations for monitoring the true tracking of the belt. Designed for buckets made of stainless steel and aluminium they are especially suitable for the food industry (e.g. sugar).

Despite its small size of only 80 mm diameter the sensor provides an operating distance of up to 70 mm adjustable by means of a small potentiometer.

### INSTALLATION

One pair of sensors is located near the headpulley on the forward side and the other near the tailpulley on the return side. They are fixed on a plastic mounting plate (dimensions: 210 x 210 mm), which covers a hole in the elevator wall of at least 160 mm,

defining the metal free zone. The mounting plates should be placed in such a way that the active area of the sensor is fully covered by the bucket's side.

### SETTING

The switches are pre-set by the factory at 70 mm. The presence of a bucket is indicated by an integral LED, showing interruption of the

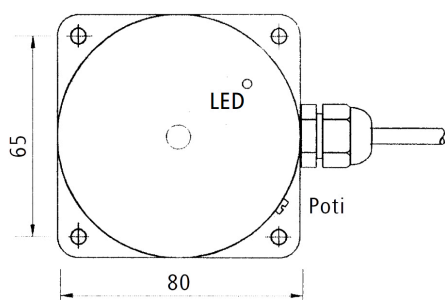
oscillating field. The trip point is adjustable by means of a potentiometer.

### TEKNISKE DATA

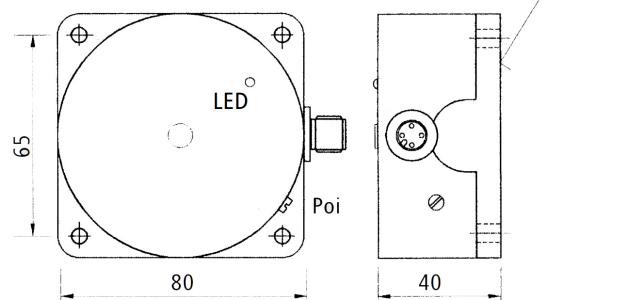
Switching distance sn	70 mm, non flush mounting, the active area must be completely covered
Hysteresis	10% sn maks.
Omgivelsestemperatur	-20 °C til +70 °C
Supply Voltage	DC 10 V - 30 V
Output circuit	SBW 501/601: PNP, N.O.; SBW 502/602: PNP, N.C.
Load current	200 mA maks.
Metal indication	LED
Tætningsgrad	IP 67 i overensstemmelse med EN 60529
Housing	Crastin
Connection	SBW 501/602: 2 m cable (PVC), 3 x 0,5 mm <sup>2</sup> ; SBW 601/602: M 12 connector

### SETTING

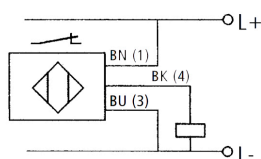
SBW 501/502



SBW 601/602



Connecting diagram



PIN-Connection

