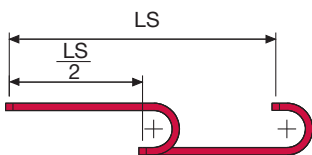
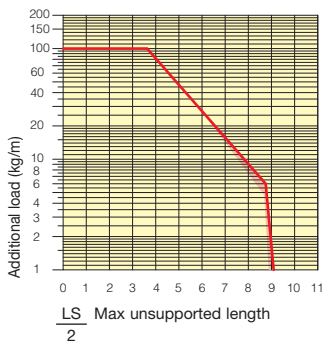




### Self-Supporting Capacity Diagram

The maximum length of the self-supporting capacity ( $\frac{LS}{2}$ ) in relationship to the weight of the cables and hoses contained per linear metre.



The red marking in the diagram area considers the difference of weight between various widths of chains assembled with aluminium draw plates every second pitch.

For applications with  $\frac{LS}{2}$  and weights not included in the area of the diagram showing self-supporting capacity, verify the possible use of support rollers (see page 30).

### Bright Zinc Plated Steel End Brackets

The end brackets set, containing four steel plates screwed to the links allows the two ends of the chain to be attached to the equipment.

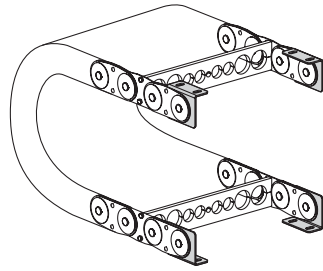
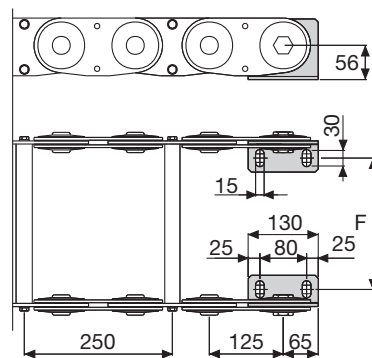


Fig. A  
The chain can be fixed frontally, inner or outer radius. (Fig A)



Chain Type	F mm
35NT104	80
35NT154	130
35NT204	180
35NT254	230
35NT304	280
35NT404	380

Special widths F=W-76

### Bright Zinc Plated Steel Type Part Numbers

Complete Set Assembled	
Chain Type	End Brackets Set
35...	A3500NKM

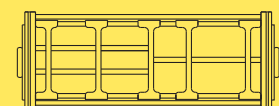
Complete Set Unassembled	
Chain Type	End Brackets Set
35...	A3500NK

### Serie Steel

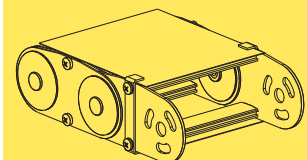
## 35NT Cable Chain in Bright Zinc Plated Steel



Suitable to long travel distance.  
See page 215



Supplementary movable separators.



Steel laminar cover.

For further information please consult Brevetti Stendalto's Technical Office